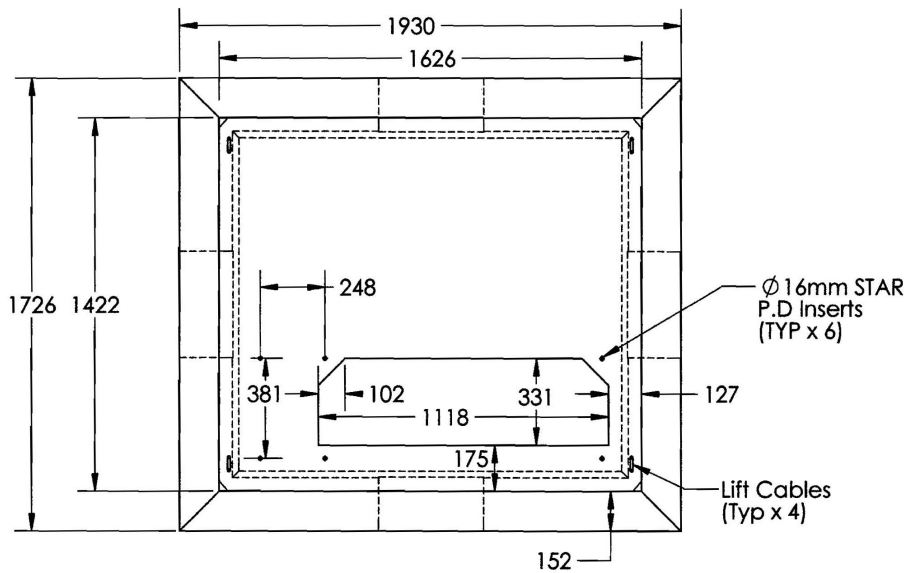




D&M Concrete Products Ltd.

TRANSFORMER BASE up to 500 kVa BIP.A3500.TB4



Concrete: 32 Mpa
SR Cement

Mass: 1800 kg
3700 lbs

