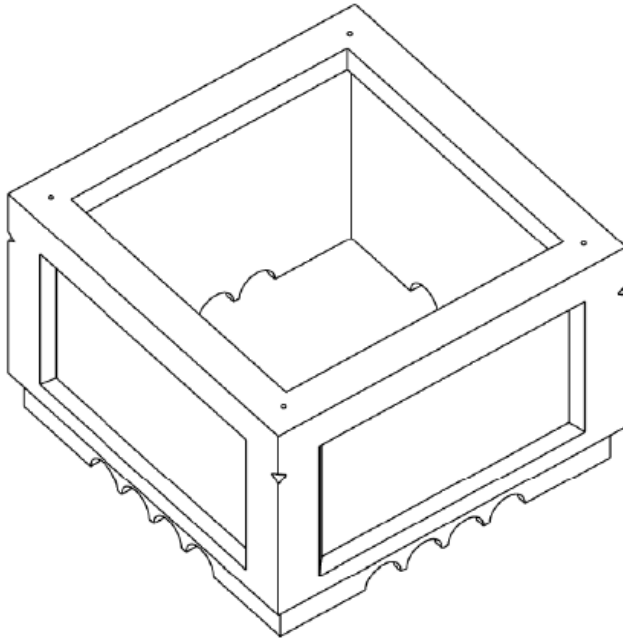




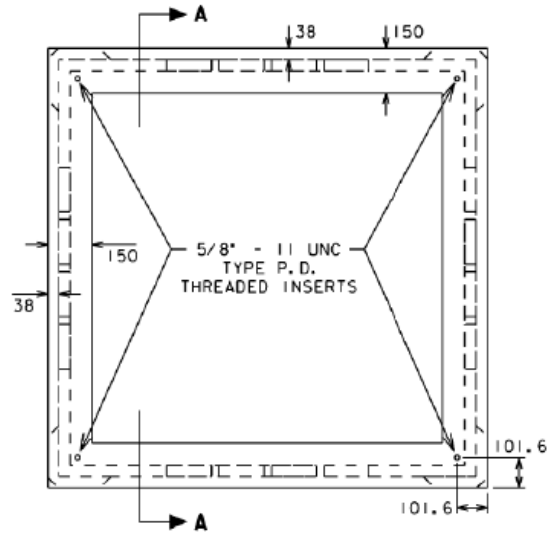
D&M Concrete Products Ltd.

Deadfront Switch Base

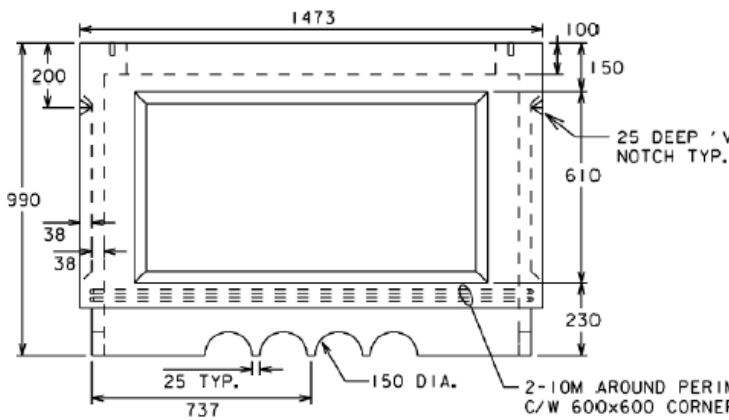
BIP.A3500.SC2



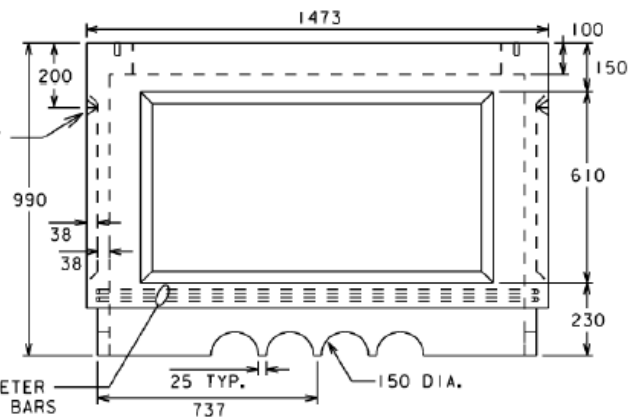
ISOMETRIC VIEW



TOP VIEW



FRONT VIEW



SIDE VIEW

Concrete: 32 Mpa
SR Cement
Mass: 2800 lbs