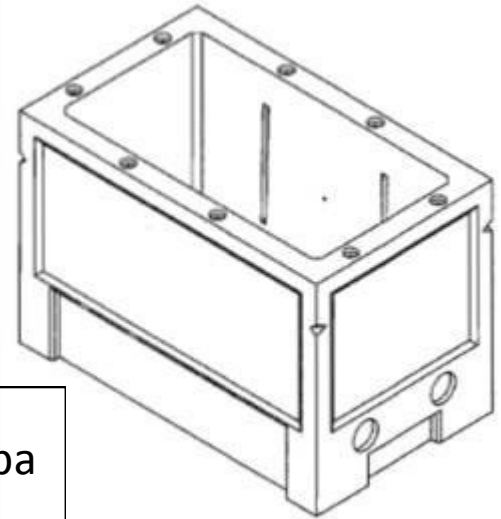
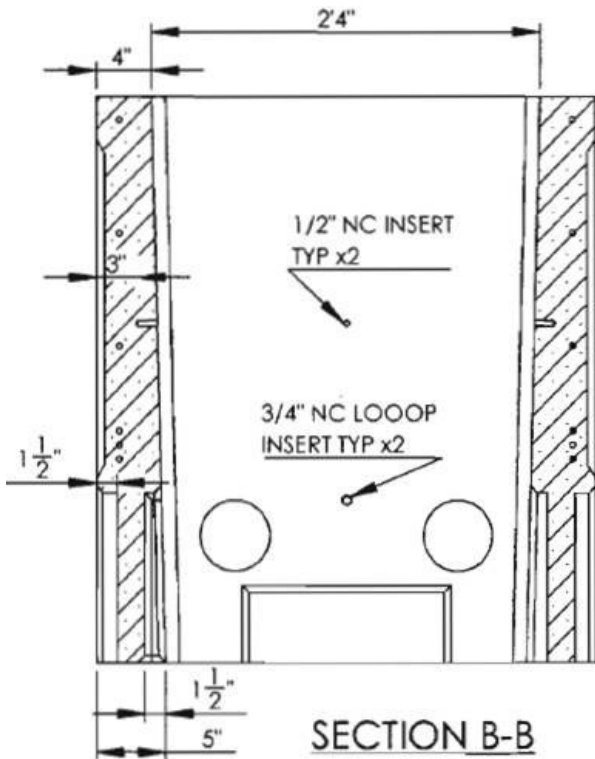




# D&M Concrete Products Ltd.

Pull Box 1.5 x 0.9 x 1.0 (w/o Lid)

BIP.A3500.PB1



Concrete: 32 Mpa  
SR Cement

Mass: 1215 kg  
2680 lbs

