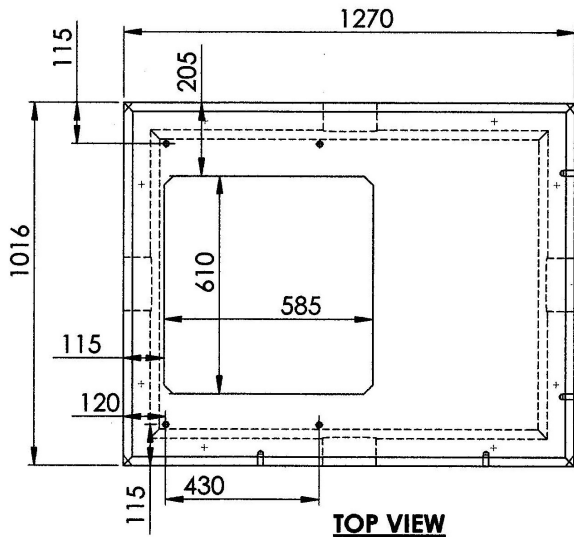




D&M Concrete Products Ltd.

SINGLE PHASE TRANSFORMER BASE BIP.A3500.TB1



Concrete: 32 Mpa
SR Cement

Mass: 985 kg
2175 lbs

